

# PAC® 512 & 512 IP | Two Door Access Controller

## Innovative and high performance door controller

### Overview

The PAC 512 series of Access Controllers sets the standard for a high performance door controller. Take a close look and you will quickly agree that there isn't another controller that can match the PAC 512 series for either features or functionality.

The PAC 512 controls all aspects of two secure doors, with up to two card readers installed as entry and exit readers on each door. This includes support for a door strike to lock and unlock the door and a door contact to detect the doors position. Each door also has a programmable auxiliary input that may be used for alarm system integration, and an auxiliary output that enables a buzzer or strobe when security is breached or a door is left open. Each controller has a tamper input, which enables the monitoring of a cabinet door, and an override input that will release both doors.

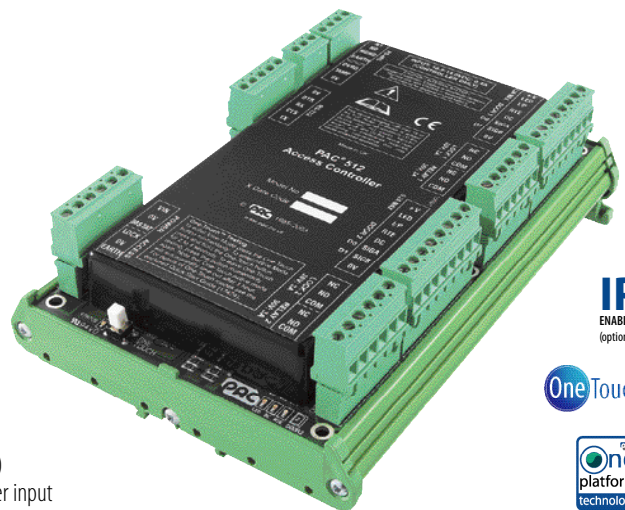
With unprecedented scalability and flexibility, a PAC 512 can be used standalone with optional IP connectivity, or as part of a system controlled by the powerful Access and Alarm Server (PAC 500). System downtime is costly, particularly in a highly secure environment. The PAC 512 overcomes this potential risk through the use of Distributed Intelligence, all events are processed locally with a database of 20,000 cardholders and a 16,000 event buffer, ensuring access decisions in the event of a communications failure with the host or optional Access and Alarm Server (PAC 500). When operating in conjunction with an Access and Alarm Server, the PAC 512 serves as part of an integrated solution that can include both input and output controllers, elevator control and sophisticated anti-passback capabilities providing a scalable solution for even the largest applications.

### Key Features

- Controls up to two access points/doors
- PAC 512 IP includes a built-in 10/100 Mbps Ethernet connection
- Supports up to four PAC proximity readers or two Wiegand outputs or two Magstripe readers directly
- Battery backed memory storage
- On-board lithium rechargeable battery is monitored and low battery status is reported
- Up to 20,000 keyholder/cardholder database and 16,000 event buffer\*
- 20 system holidays with 20 start and stop dates and times\*
- 200 time profiles with up to 4,000 weekly periods\*
- 5,000 access groups, each with two time profiles and two area lists
- Area anti-passback and area usage in conjunction with PAC 500
- Local anti-passback
- Airlock capability in conjunction with PAC 500
- Watchdog reset for maximum reliability
- Unique One-Touch™ installation mode simplifies and speeds up system commissioning, without need for a PC or programming
- Status LED supports all functions including Inputs and Outputs
- Individual door access times (DDA and ADA recommendation)
- One ancillary input per door channel (two or four state)
- Wide voltage operation 10.5V to 28V
- Request-to-exit input (two or four state)
- Door contact input (two or four state)
- Power supply and battery status are monitored and reported
- 5 Amp ancillary relay per door channel (independent control via PAC 500)
- 5 Amp lock relay output per door channel and dedicated enclosure tamper input
- 5 Amp thermal fuse protected lock relay
- Override input to open all doors
- Lock sharing for doors
- Easy in-field firmware upgrades
- Dial-up PSTN/GSM modem support (PAC 512 only)
- DIN-Rail mounting for ease of installation



Two Door Access Controller



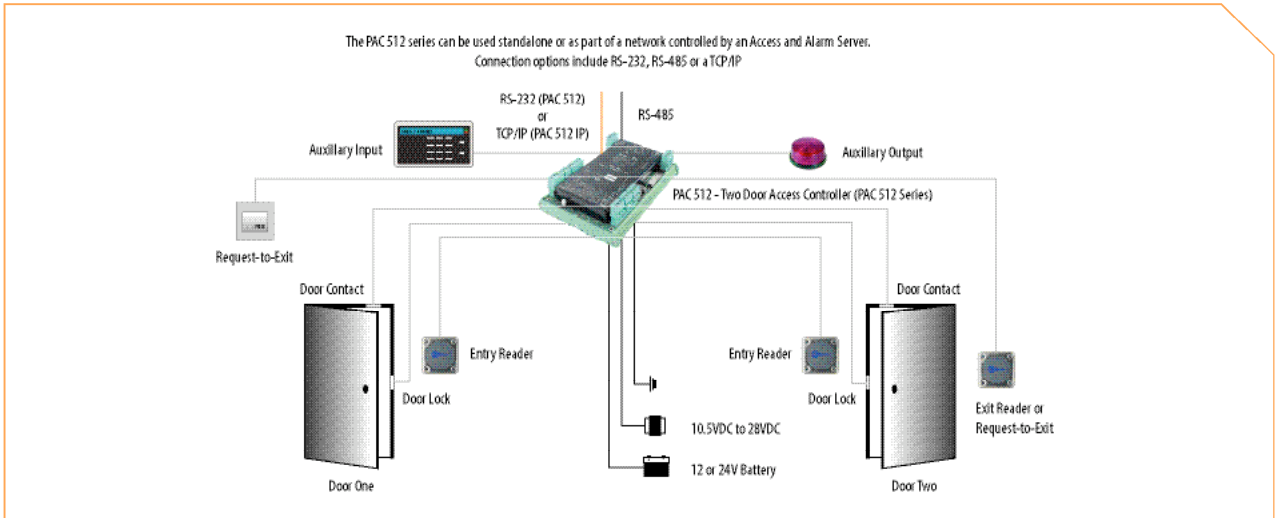
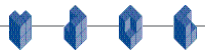
IP  
ENABLED  
(optional)

OneTouch™

platform  
technology

Anything else is a compromise





## Specifications

Dimensions/Weight:	H:125mm x W:180mm x D:60mm (H: 7.3"W: 5.1"D: 5.1") W: 0.4kg (14oz) nominal
Temperature/ Humidity:	Operating: -10°C to +55°C (14°F to +130°F) Storage: -25°C to +80°C (-13°F to +176°F) Humidity: 0 to 85% RHNC
Door Configuration	Each door supports up to 2 Oneprox™, PAC or KeyPAC readers, 1 Wiegand output or 1 magstripe output reader
Supported Reader Protocol	PAC, Wiegand and Magstripe
Inputs	Door contact, RTE, and programmable auxiliary input
Outputs	5-AMP single pole double throw lock relay and alarm relay
Status LEDs	RS 232, RS 485, door 1, door 2 and system status, Ethernet transmit and receive status
Memory Backup	3V re-chargeable lithium cell (monitored and status reported) - 6 months memory retention when not powered
Communication Ports	RS-485 (57.6K bps), RS-232 (57.6K bps),
Wiring Requirements	RS-485 - CAT5 up to 1000m, 3000ft total cable or 7/0.2mm, 24AWG alarm cable up to 500m, 1500ft total cable RS-232 - 7/0.2mm, 24 AWG up to 7.6m, 25ft maximum length
Module Power	10.5VDC to 28VDC @ 220mA max
Warranty	5 Years
Regulatory Compliance	BS8030:2001 "Providing Access Solutions for Disabled People" EN 50133 - Access control systems for use in security applications EN55022 Class B. EN50130-4. CE Certified. FCC - Part 15 Class B. Designed for UL1076 and UL294

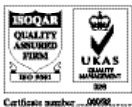
## Ordering Information

20054	PAC 512 Access Controller (boxed with 3 Amp power supply)
20055	PAC 512 Access Controller - DIN Mount
20154	PAC 512 IP Enabled Access Controller (boxed with 3 Amp power supply)
20155	PAC 512 IP Enabled Access Controller - DIN Mount

THIS DOCUMENT IS PROVIDED TO YOU FOR INFORMATIONAL PURPOSES ONLY. The information furnished in this document, believed by PAC to be accurate as of the date of its publication, is subject to change without notice. PAC assumes no responsibility for any errors or omissions in this document and shall have no obligation to you as a result of having made this document available to you or based upon the information it contains. († Requires PAC 500 \* Dependent on PAC SecureNet version installed).

PAC® and the PAC logo, OnePlatform, PAC Oneprox, PAC EasiNet, PAC SecureNet and One-Touch are registered trademarks of PAC. Microsoft, Windows and .NET are registered trademarks of Microsoft Corporation. Other companies and products named herein may be trademarks or registered trademarks of their respective owners, and are hereby acknowledged.

© Copyright 2005, PAC. A Stanley Security Solutions Business. All Rights Reserved. PN. 45168/2



**PAC**  
A Stanley Security Solutions Business  
1 Park Gate Close  
Bredbury, Stockport,  
Cheshire, SK6 2SZ, UK  
t: +44 (0)161 406 3400  
f: +44 (0)161 430 8658  
www.pac.co.uk